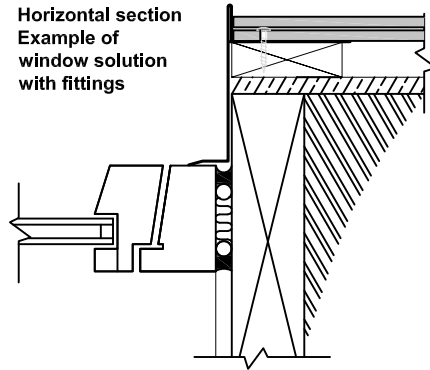
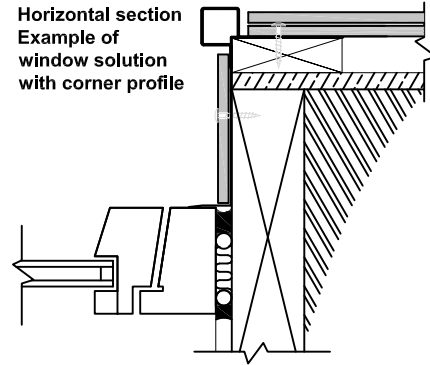


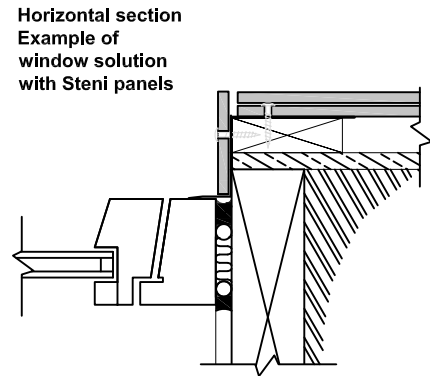
Horizontal section
Example of
window solution
with fittings



Horizontal section
Example of
window solution
with corner profile



Horizontal section
Example of
window solution
with Steni panels



R:\TekniskSupport\03_Detaljtegninger\Fs detaljer\DWG\Fs200_EN_230419.dwg.

FS 200_3

Section of window solution

Issued by/Tegnet av:

JMK

Date of issue/Tegnet dato:

23.04.2019

Scale/Målestokk:

1:5



steni as

Tlf.: +47 33155600
www.steni.com